

Sheet: NoiseGen

Sheet: Mixer

Sheet: SandH

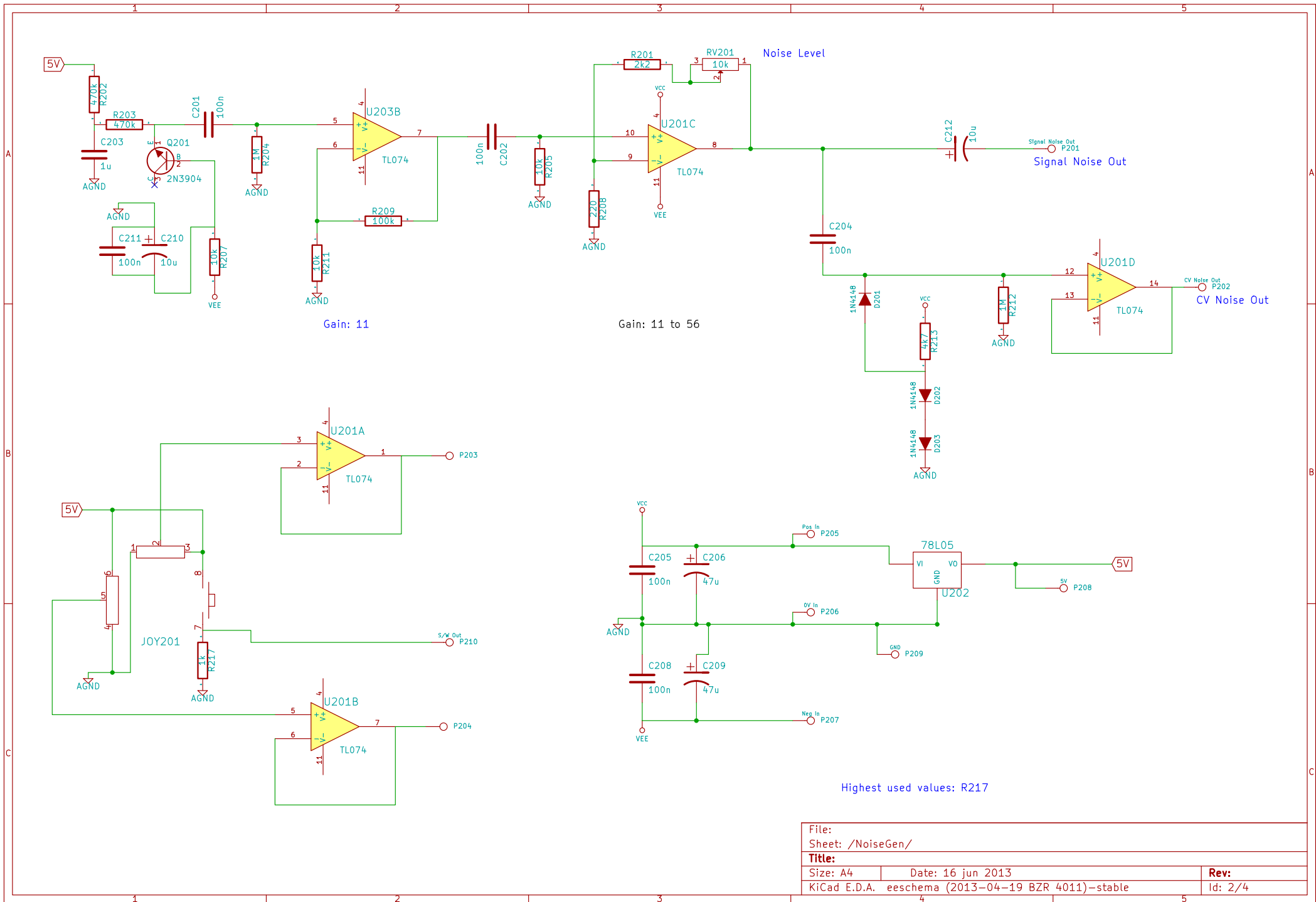
File: NoiseGen.sch

File: Mixer.sch

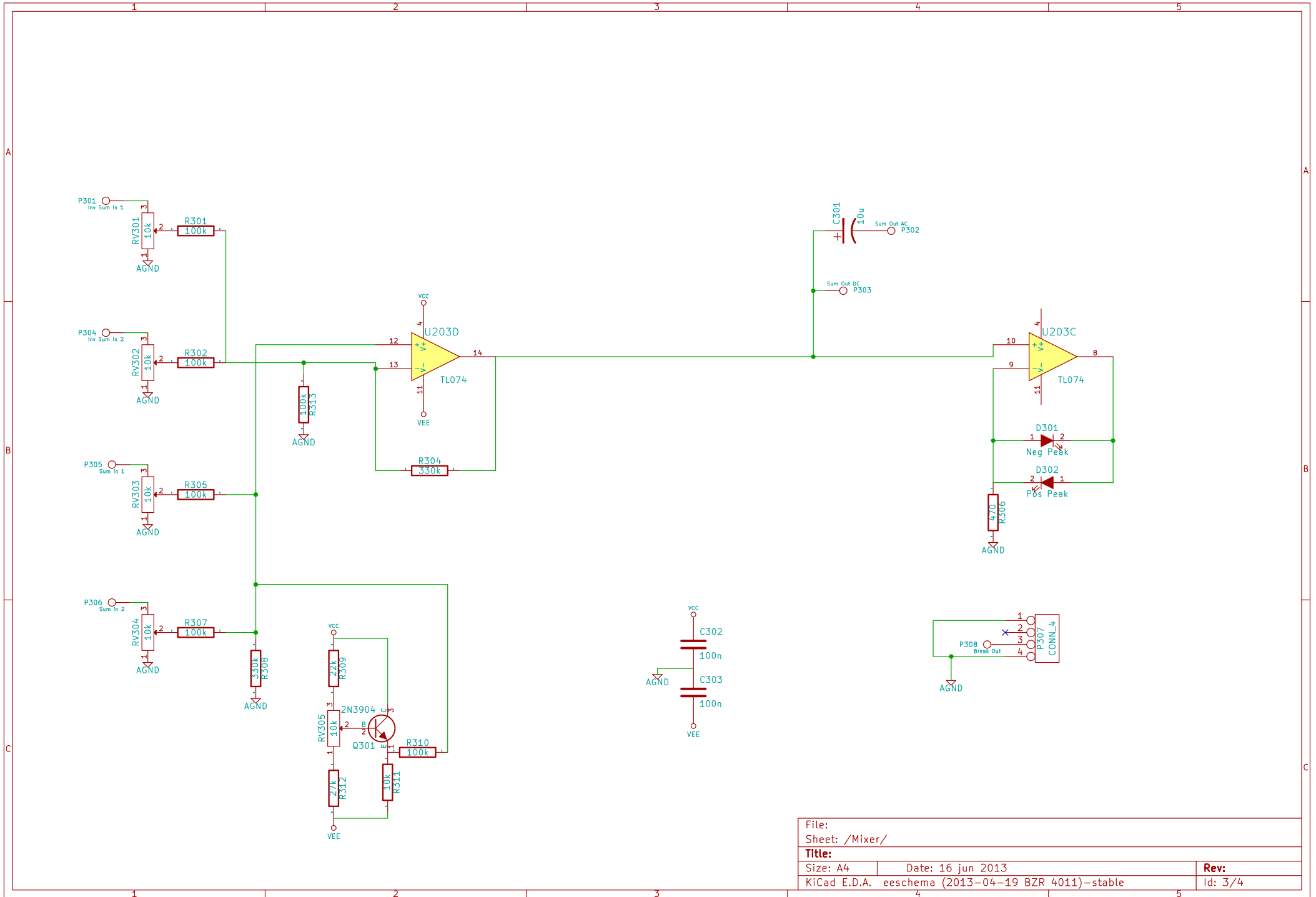
File: SandH.sch



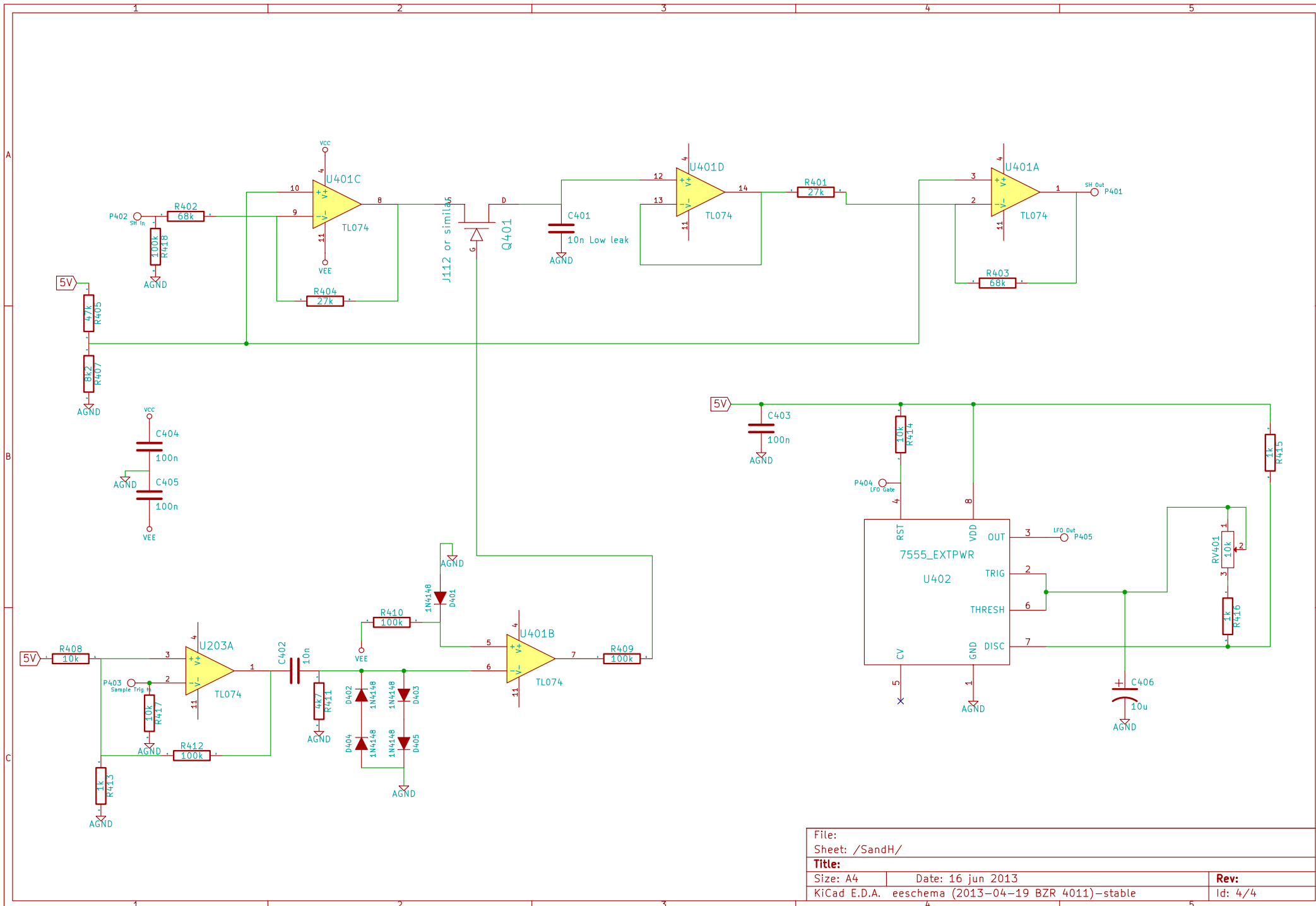
File:		
Sheet: /		
Title:		
Size: A4	Date: 16 jun 2013	Rev:
KiCad E.D.A.	eescema (2013-04-19 BZR 4011)-stable	Id: 1/4



File:		Sheet: /NoiseGen/	
Title:			
Size: A4	Date: 16 jun 2013	Rev:	
KiCad E.D.A. eschema (2013-04-19 BZR 4011)-stable		Id: 2/4	



File:	
Sheet: /Mixer/	
Title:	
Size: A4	Date: 16 jun 2013
KiCad E.D.A. eschema (2013-04-19 BZR 4011)-stable	Rev: Id: 3/4



File:	
Sheet: /SandH/	
Title:	
Size: A4	Date: 16 jun 2013
KiCad E.D.A. eschema (2013-04-19 BZR 4011)-stable	
Rev:	Id: 4/4