

Sheet: Envelope

Sheet: DelayAmps

Sheet: Delay

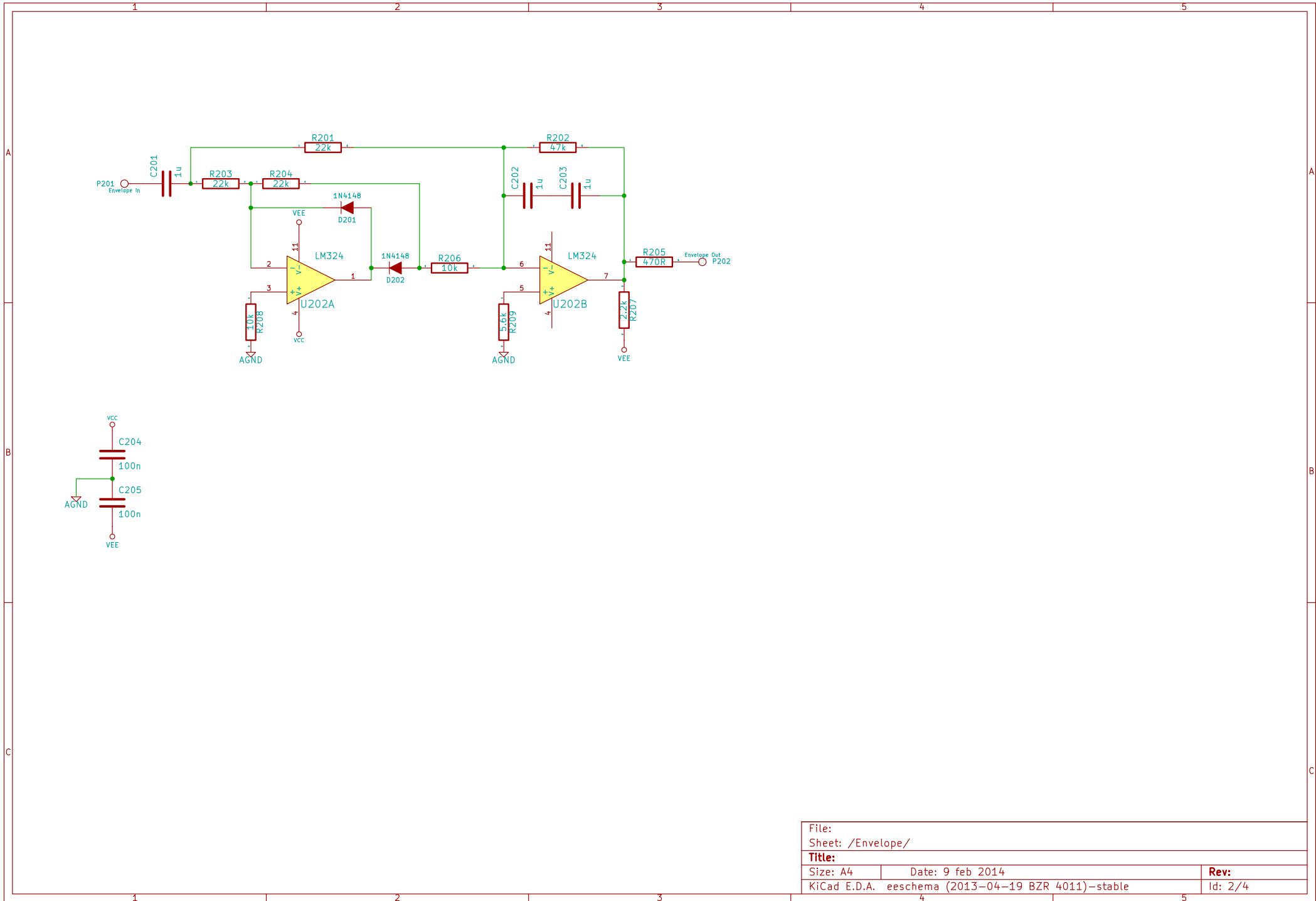
File: Envelope.sch

File: DelayAmps.sch

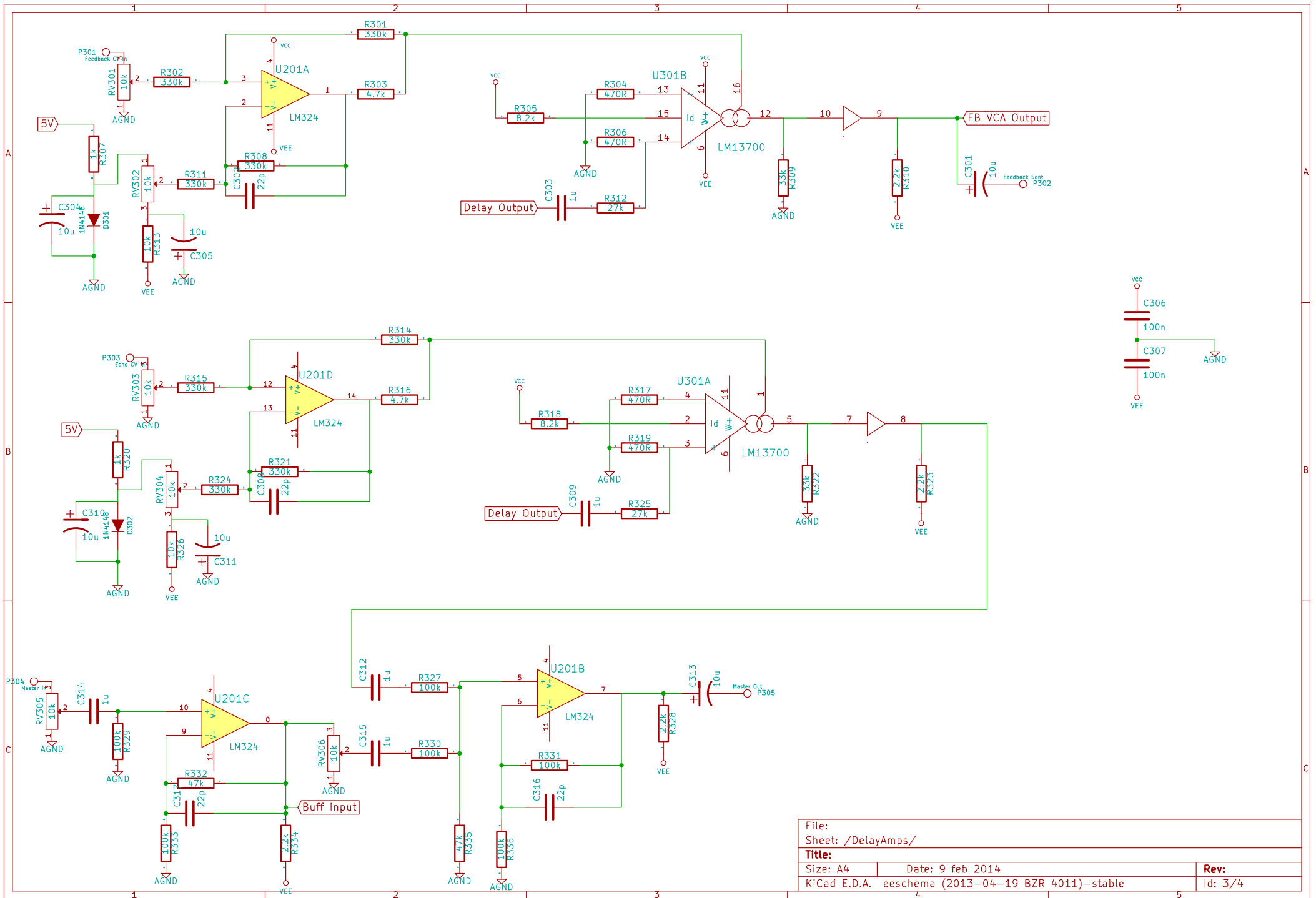
File: Delay.sch



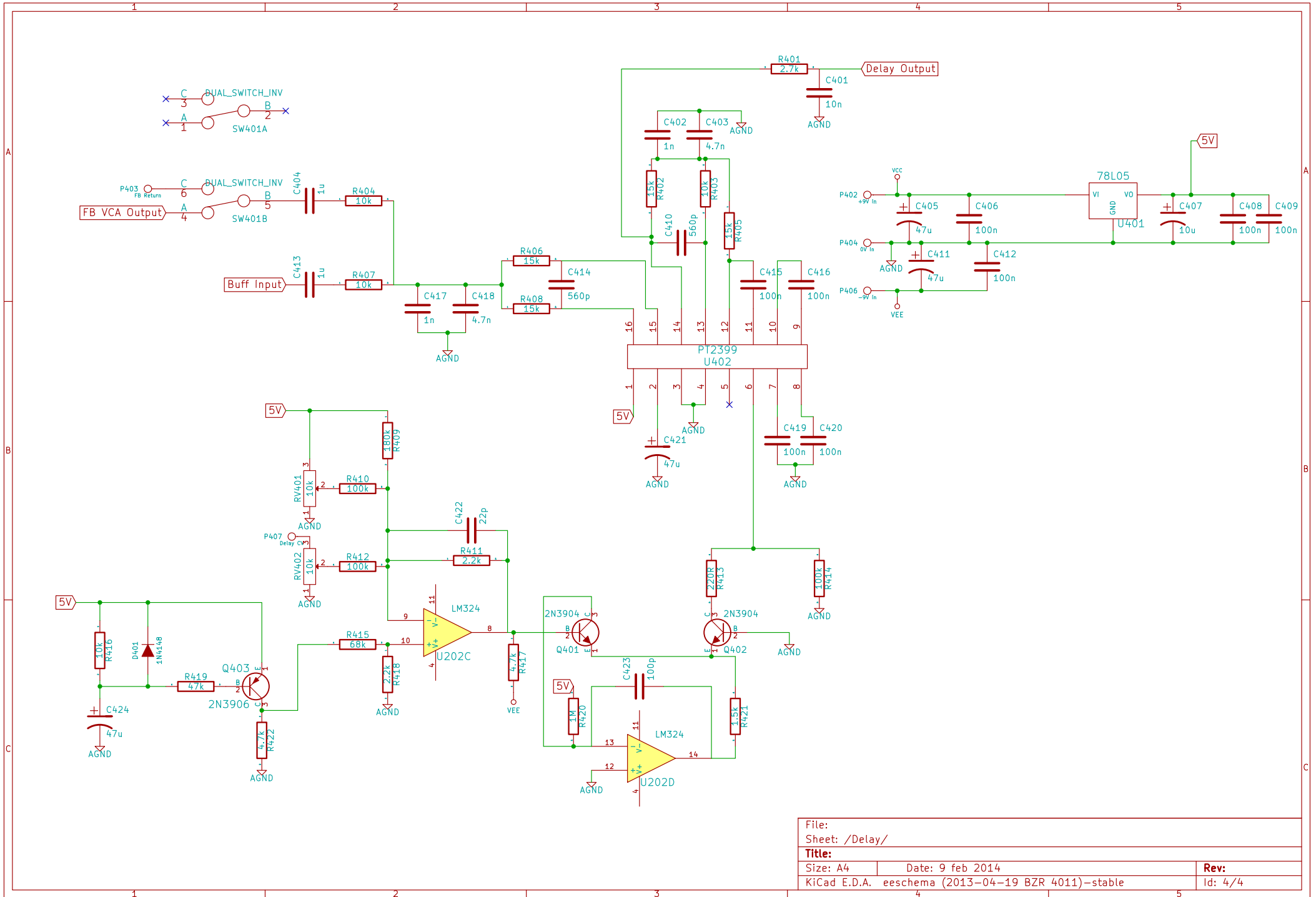
File:		
Sheet: /		
<b>Title:</b>		
Size: A4	Date: 9 feb 2014	<b>Rev:</b>
KiCad E.D.A. eeschema (2013-04-19 BZR 4011)-stable		Id: 1/4



File:		
Sheet: /Envelope/		
Title:		
Size: A4	Date: 9 feb 2014	Rev:
KiCad E.D.A. eschema (2013-04-19 BZR 4011)-stable		Id: 2/4



File:	
Sheet: /DelayAmps/	
<b>Title:</b>	
Size: A4	Date: 9 feb 2014
KiCad E.D.A. eschema (2013-04-19 BZR 4011)-stable	
<b>Rev:</b>	
Id: 3/4	



File:		
Sheet: /Delay/		
Title:		
Size: A4	Date: 9 feb 2014	Rev:
KiCad E.D.A. eschema (2013-04-19 BZR 4011)-stable		Id: 4/4