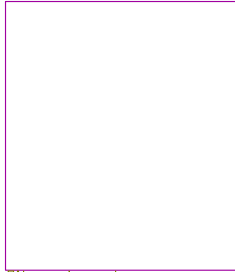
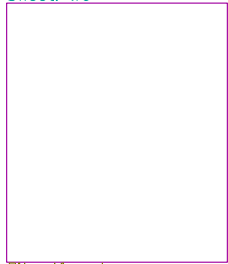


Sheet: adsr



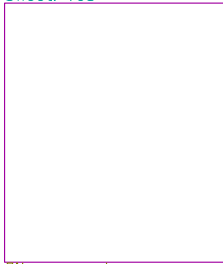
File: adsr.sch

Sheet: lfo

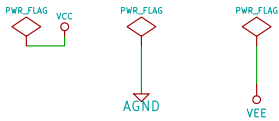


File: lfo.sch

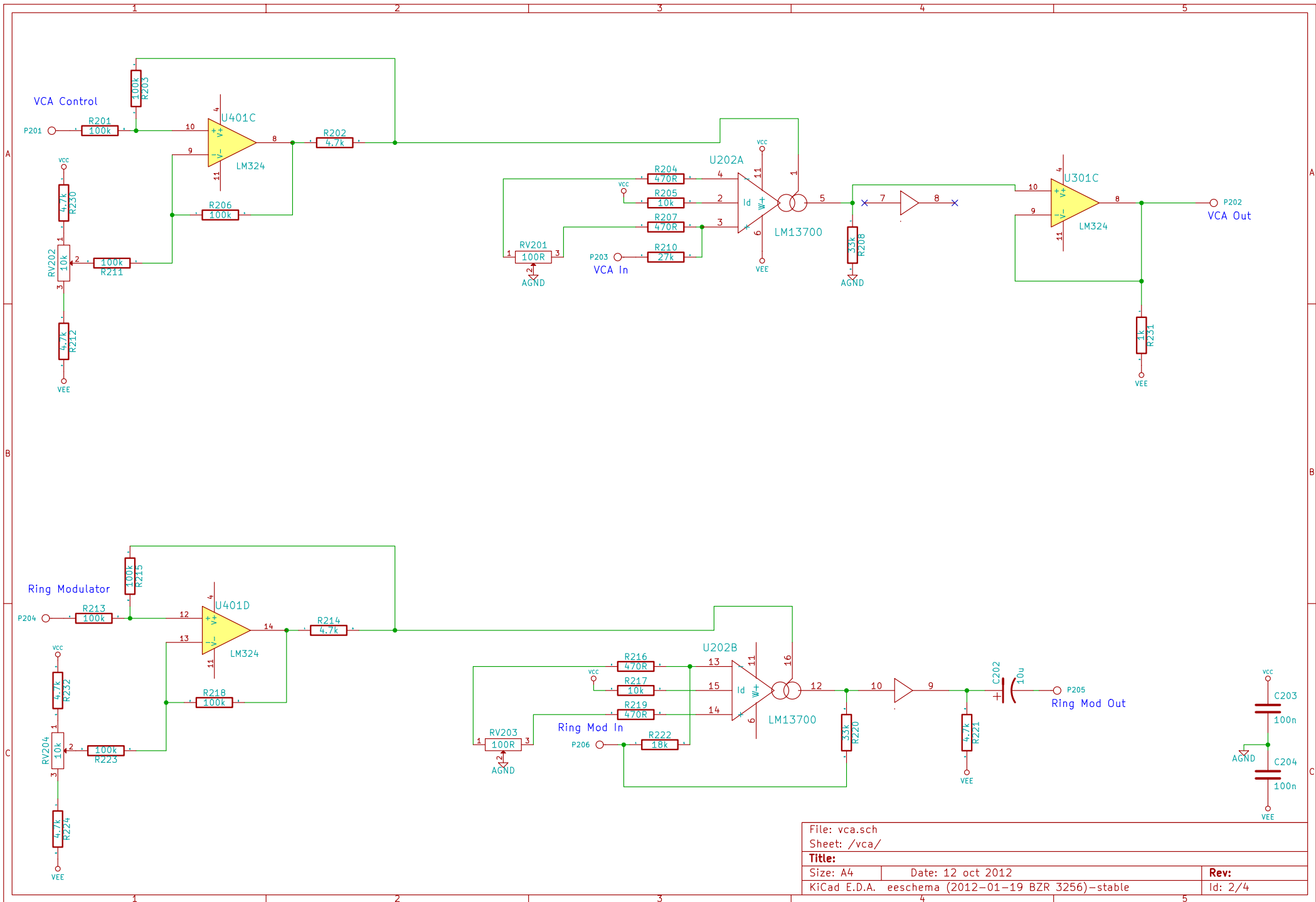
Sheet: vca



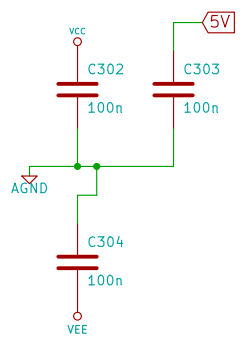
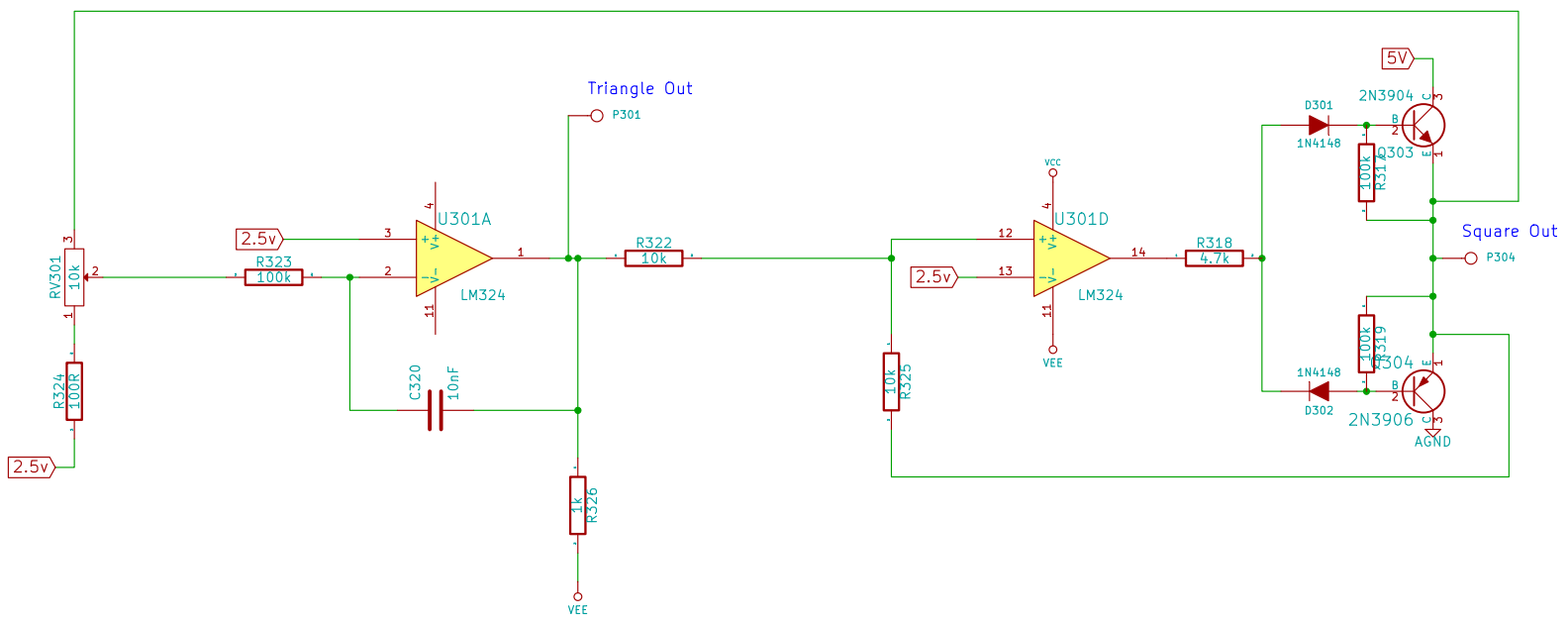
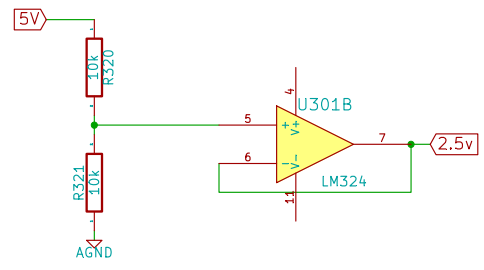
File: vca.sch



File: LushMod1.sch		
Sheet: /		
Title:		
Size: A4	Date: 12 oct 2012	Rev:
KiCad E.D.A. eeschema (2012-01-19 BZR 3256)-stable		Id: 1/4



File: vca.sch		
Sheet: /vca/		
Title:		
Size: A4	Date: 12 oct 2012	Rev:
KiCad E.D.A. eschema (2012-01-19 BZR 3256)-stable		Id: 2/4



File: lfo.sch	
Sheet: /lfo/	
Title:	
Size: A4	Date: 12 oct 2012
KiCad E.D.A. eeschema (2012-01-19 BZR 3256)-stable	Rev: Id: 3/4

