

Sheet: AVRDigital



File: AVR.sch

Sheet: cvout

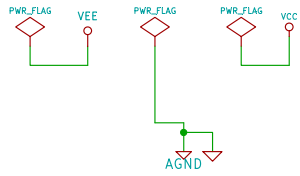


File: cvout.sch

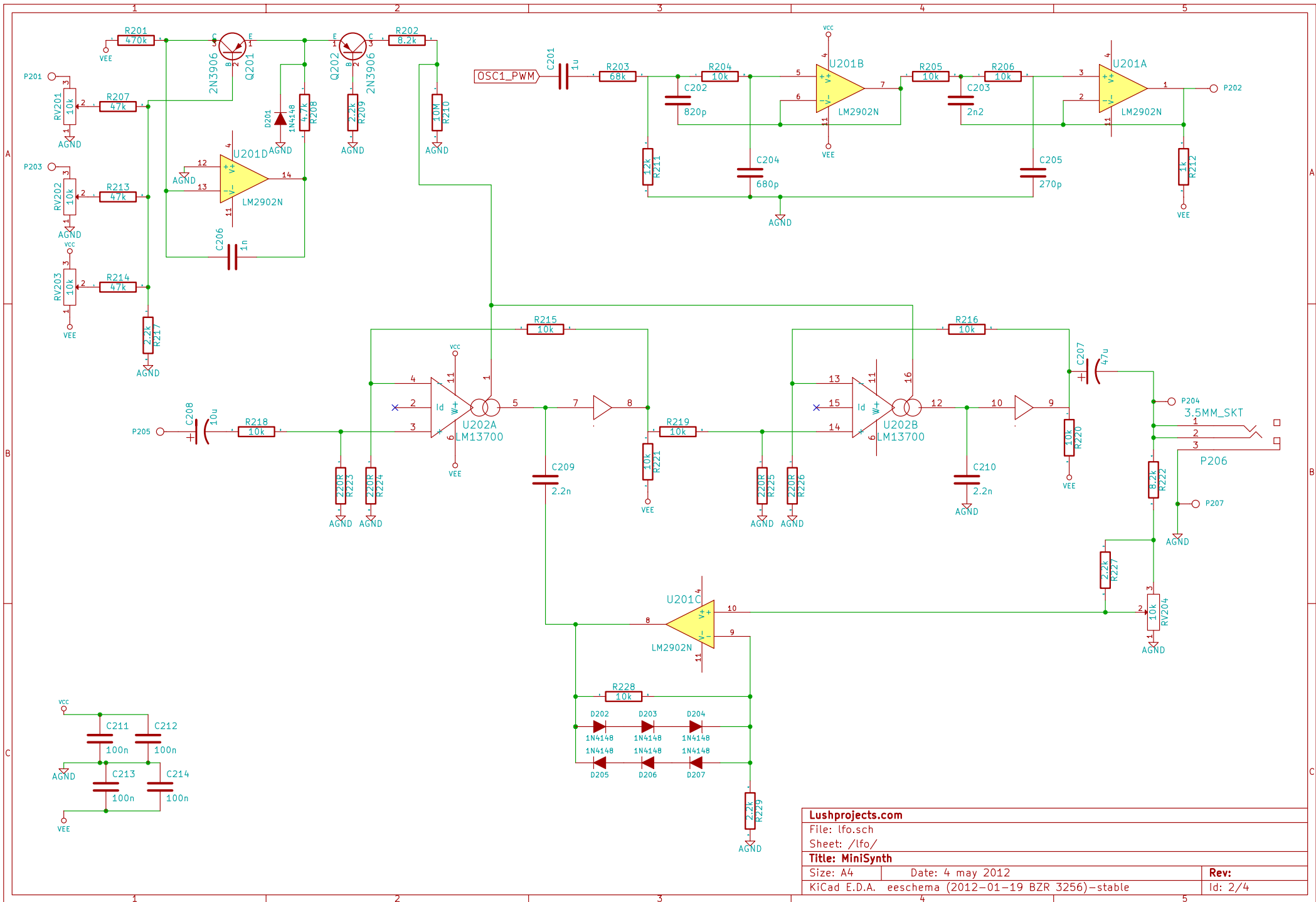
Sheet: lfo



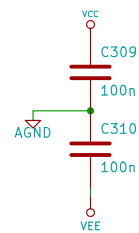
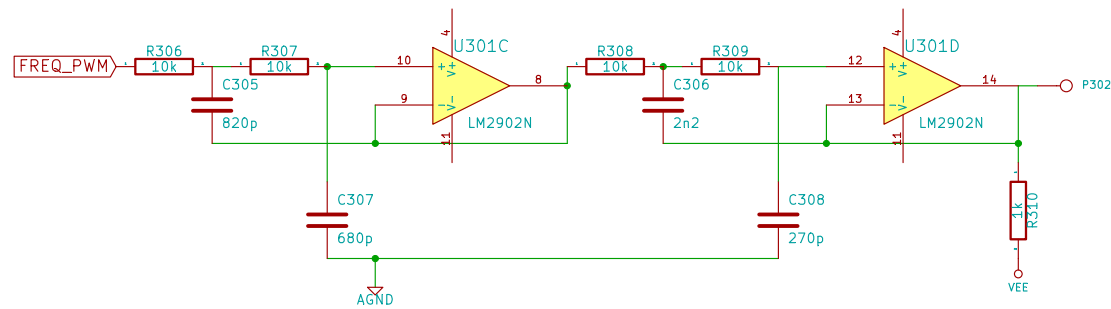
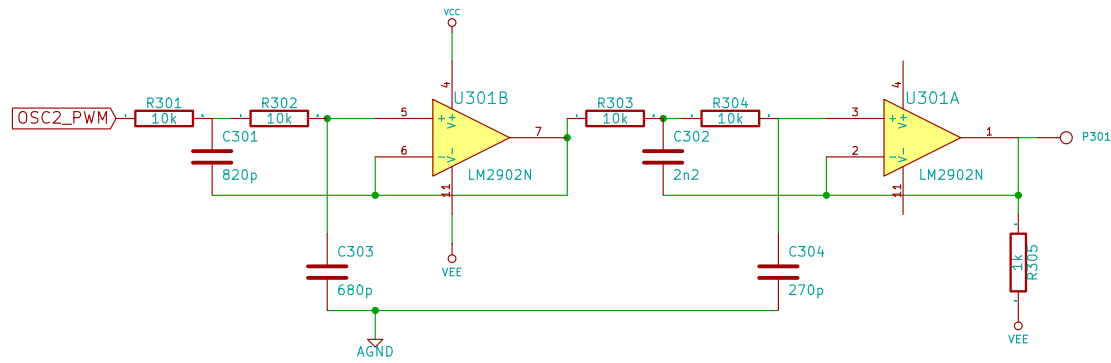
File: lfo.sch



| | | |
|-------------------------|---------------------------------------|-------------|
| Lushprojects.com | | |
| File: MiniSynth.sch | | |
| Sheet: / | | |
| Title: MiniSynth | | |
| Size: A4 | Date: 4 may 2012 | Rev: |
| KiCad E.D.A. | eeschema (2012-01-19 BZR 3256)-stable | Id: 1/4 |



| | | |
|---|------------------|-------------|
| Lushprojects.com | | |
| File: lfo.sch | | |
| Sheet: /lfo/ | | |
| Title: MiniSynth | | |
| Size: A4 | Date: 4 may 2012 | Rev: |
| KiCad E.D.A. eschema (2012-01-19 BZR 3256)-stable | | Id: 2/4 |



| | | |
|-------------------------|---------------------------------------|-------------|
| Lushprojects.com | | |
| File: cvout.sch | | |
| Sheet: /cvout/ | | |
| Title: MiniSynth | | |
| Size: A4 | Date: 4 may 2012 | Rev: |
| KiCad E.D.A. | eeschema (2012-01-19 BZR 3256)-stable | Id: 3/4 |

